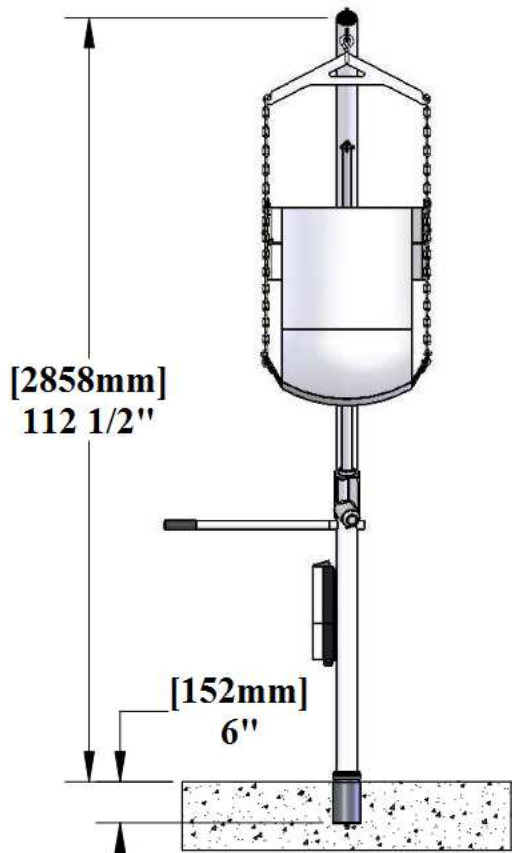
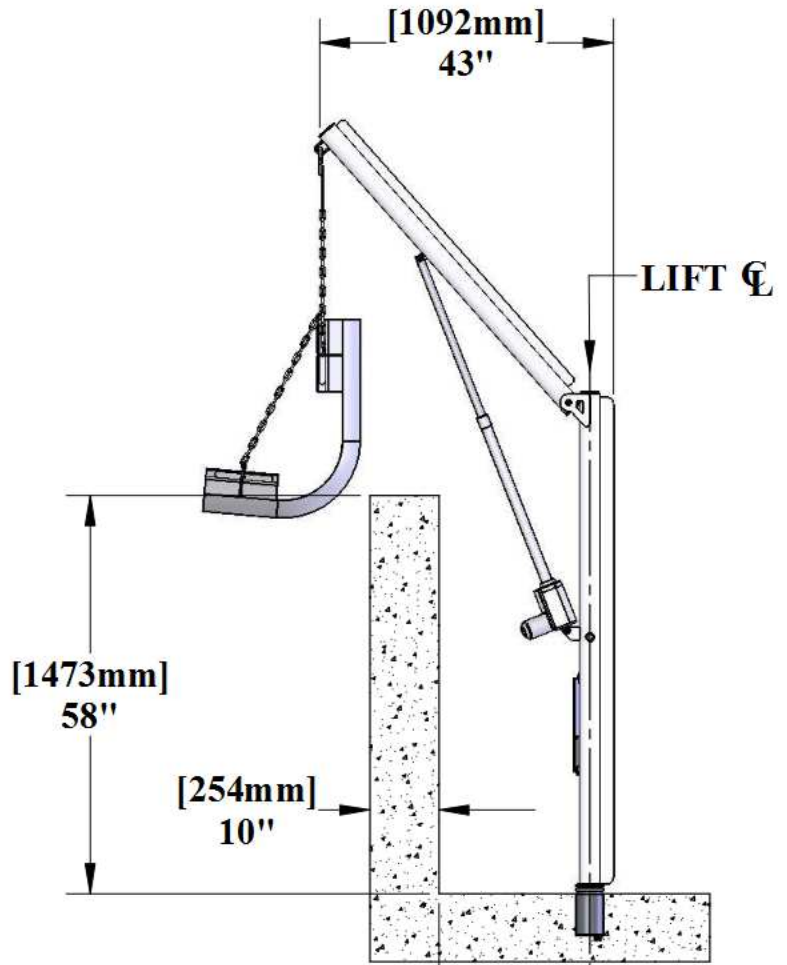


SUPER POWER-EZ™ LIFT

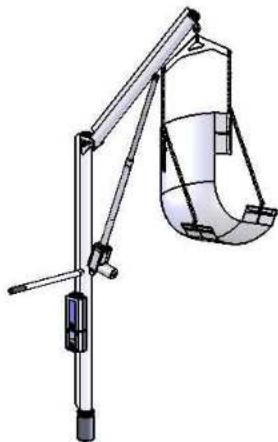


FRONT VIEW



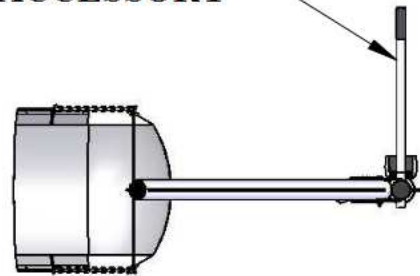
[533mm - 610mm]
21" MIN - 24" MAX
SETBACK

SIDE VIEW



ISOMETRIC VIEW

ROTATE-BAR
ACCESSORY



TOP VIEW



Aqua Creek Products

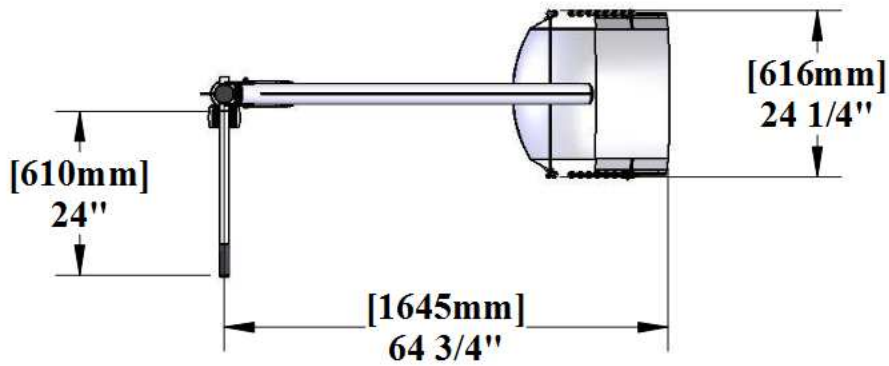
The Total Solution for Pond and Stream Aeration

9889 GARRYMORE LANE
MISSOULA, MT 59808
(406) 549-0769
FAX (406) 549-2602

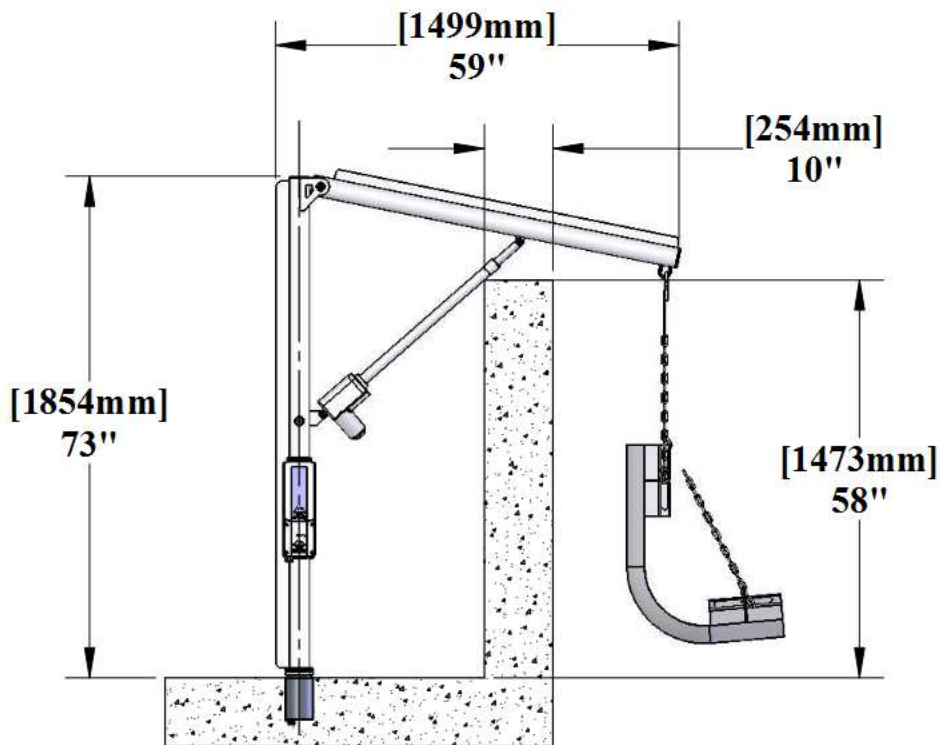
NOTE:
*SPECIFICATIONS ARE SUBJECT TO CHANGE WITHOUT NOTICE

PRODUCT:	F-190PHBL	
DWG #:	F-190PHBL-1	
SCALE:	1:28	DATE: 3/25/13
DRAWN BY:	KR	REVISION: A

SUPER POWER-EZ™ LIFT



TOP VIEW
(LIFT IN WATER)



SIDE VIEW
(LIFT IN WATER)



9889 GARRYMORE LANE
 MISSOULA, MT 59808
 (406) 549-0769
 FAX (406) 549-2602

NOTE:
 *SPECIFICATIONS ARE SUBJECT TO CHANGE WITHOUT NOTICE

PRODUCT:	F-190PHBL	
DWG#:	F-190PHBL-1	
SCALE:	1:28	DATE: 3/25/13
DRAWN BY:	KR	REVISION: A

SUPER POWER-EZ™ LIFT

SPECIFICATIONS:

LIFTING CAPACITY: 400 lbs [181 kg]
STATIC LOAD CAPACITY: 600 lbs [272 kg]

MAX. SETBACK (SEE PAGE 1): 24" [610mm]

OVERALL HEIGHT (MAX): 112 1/2" [2857.5mm]
MAX. WIDTH (DEPLOYED): 24 1/4" [616mm]
MAX. LENGTH (DEPLOYED): 59" [1499mm]

WEIGHT: 70 lbs [32kg]

MATERIALS:

MAST & BOOM ARM: TYPE 304 STAINLESS STEEL
CHAINS: TYPE 316 STAINLESS STEEL
SLING: 100% POLYESTER MESH
POWDER COATING: OFF-WHITE EPOXY

STANDARD EQUIPMENT:

**ROTATE BAR ACCESSORY
CHAIN SET & SLING BARS**

**HANGER BAR
MESH SLING**

OPTIONAL EQUIPMENT:

**SUPER POWER EZ, NO ANCHOR
COVER**

**(PN: F-194PHBL-NA)
(PN: F-440HBC)**



Aqua Creek Products

9889 GARRYMORE LANE
MISSOULA, MT 59808
(406) 549-0769
FAX (406) 549-2602

NOTE:
*SPECIFICATIONS ARE SUBJECT TO CHANGE WITHOUT NOTICE

PRODUCT:	F-190PHBL	
DWG #:	F-190PHBL-1	
SCALE:	1:1	DATE: 3/25/13
DRAWN BY:	KR	REVISION: A